

I

Title: Gyrating Acoustical Bearing Brackets
Inventors Name: Nicholas Edwin (PH.) 813-243-1166
Application Number: N/A
Conformation Number: N/A
Docket Number: N/A

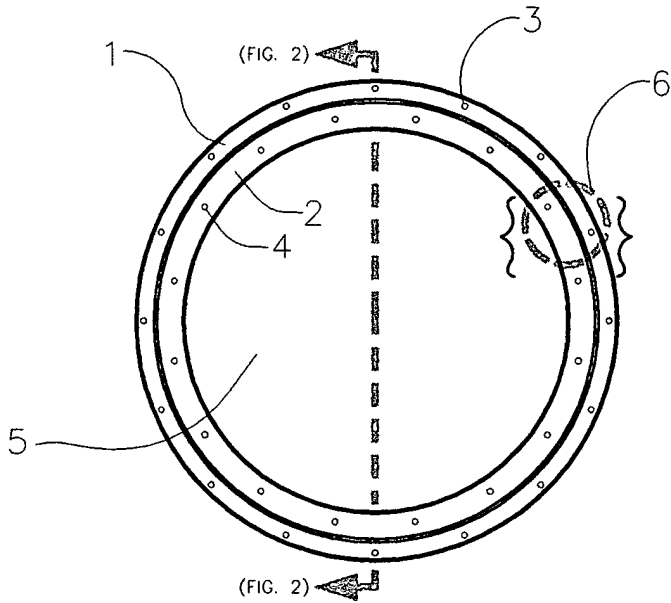


Fig. 1

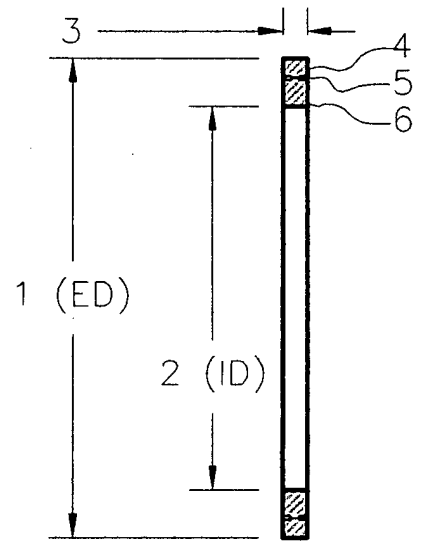


Fig. 2

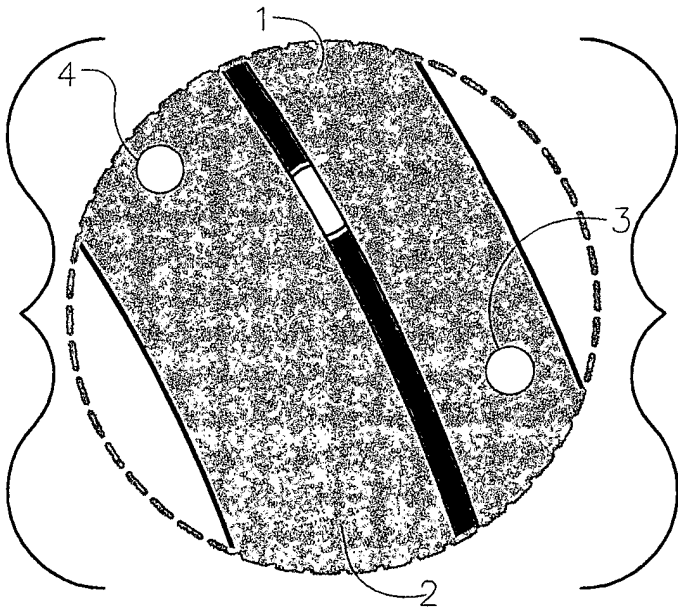


Fig. 3

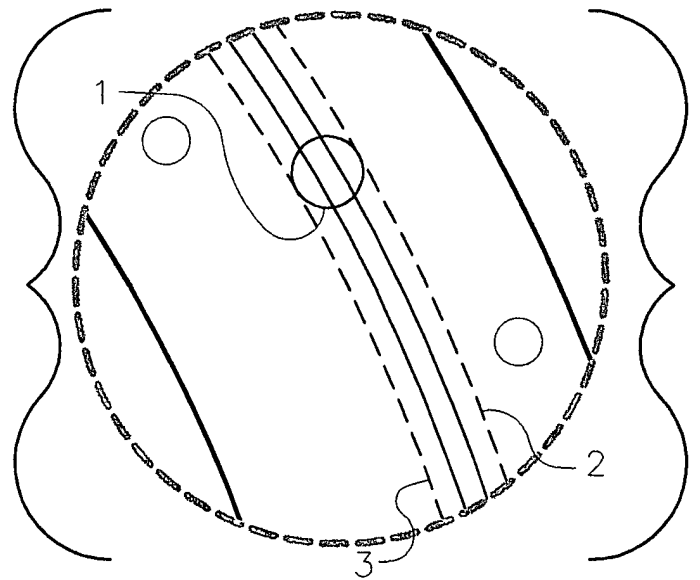


Fig. 4

II

Title: Gyroting Acoustical Bearing Brackets
Inventors Name: Nicholas Edwin (PH.) 813-243-1166
Application Number: N/A
Conformation Number: N/A
Docket Number: N/A

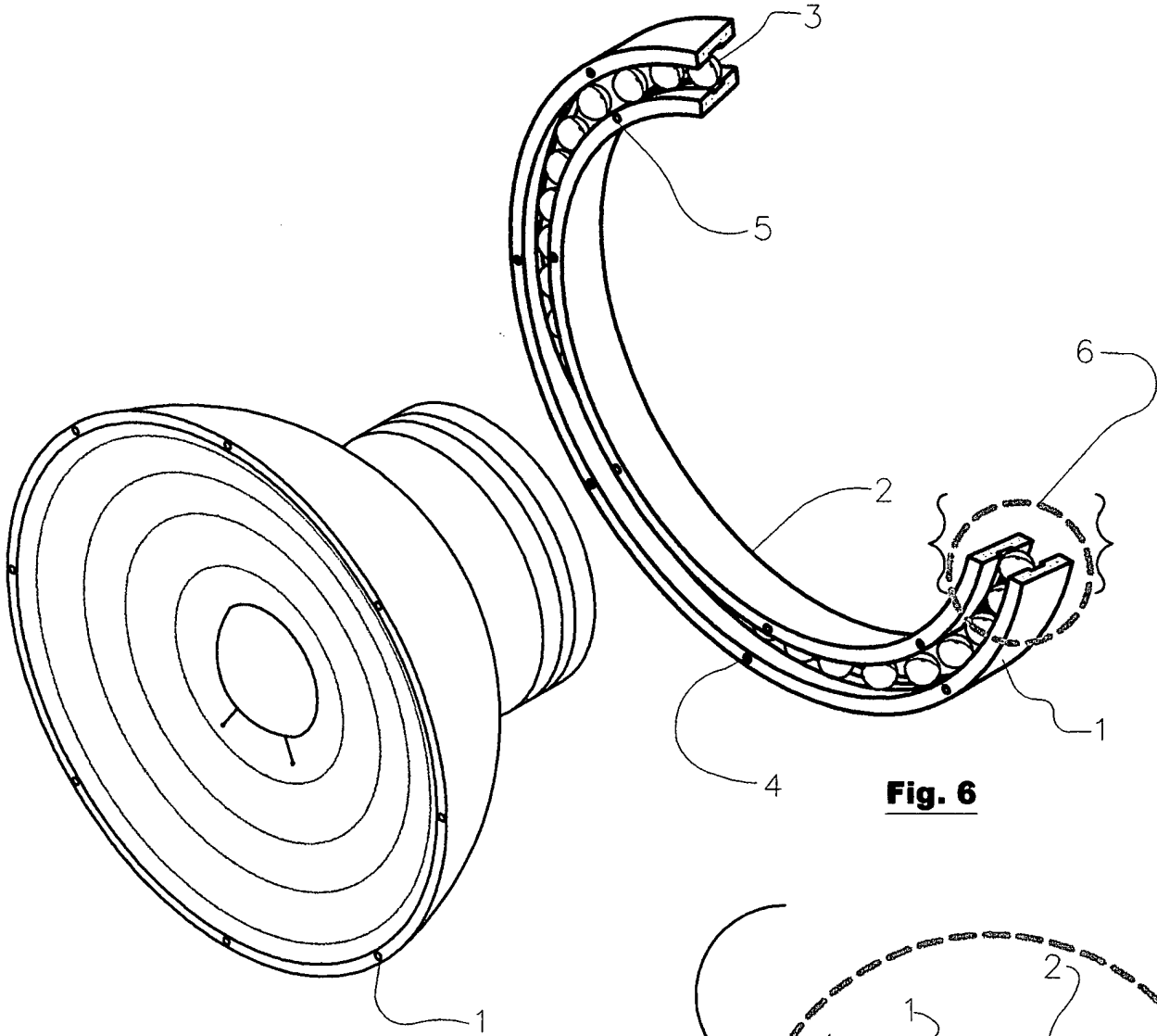


Fig. 5

Fig. 6

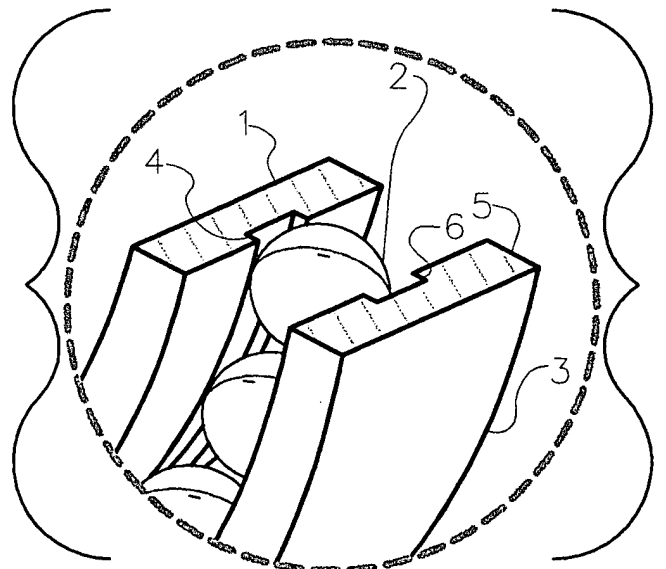


Fig 7

III

Title: Gyrating Acoustical Bearing Brackets
Inventors Name: Nicholas Edwin (PH.) 813-243-1166
Application Number: N/A
Conformation Number: N/A
Docket Number: N/A

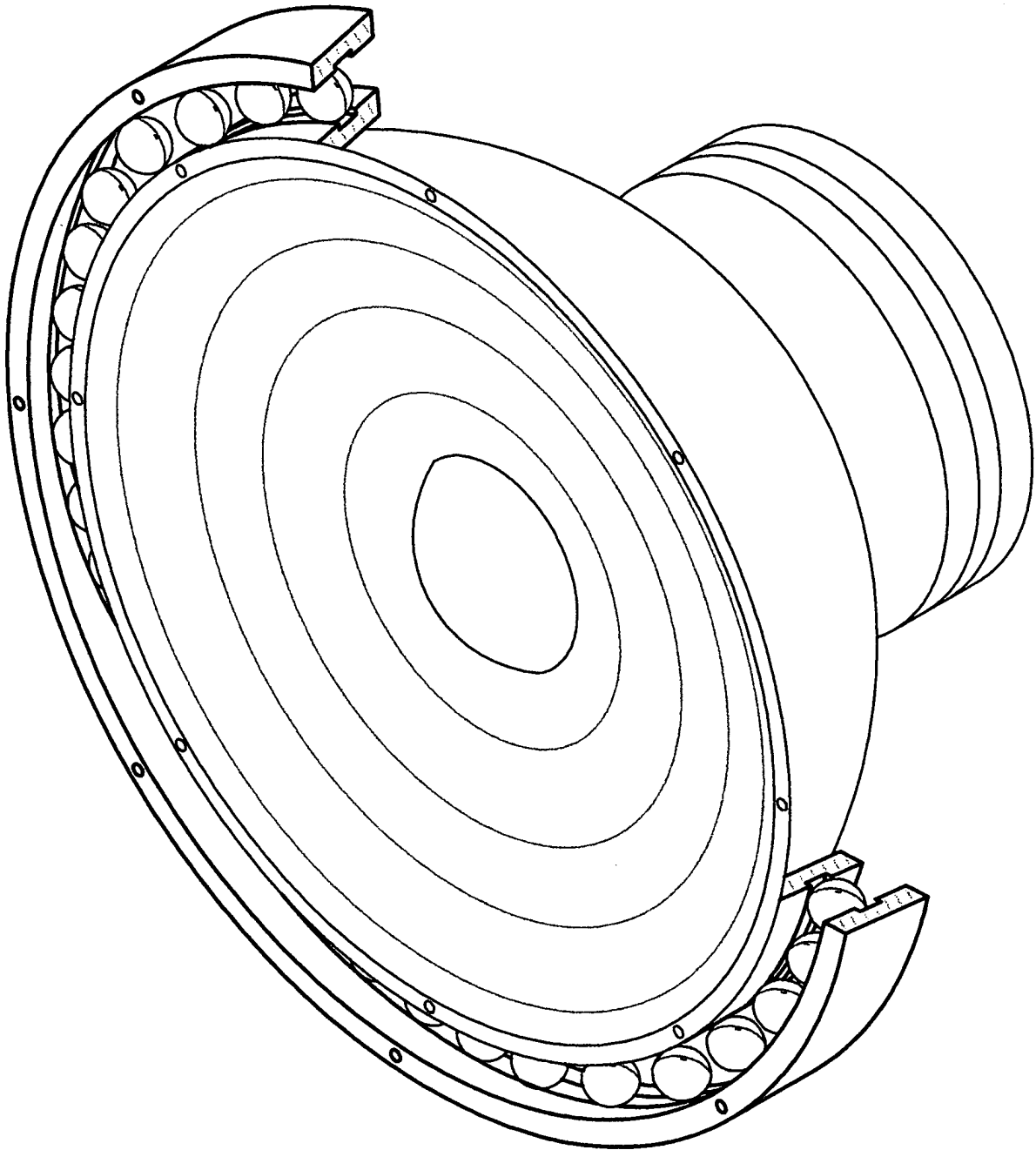


Fig. 8
(Front Pag Vi w)